

Angular Contact Ball Bearings

Bearing No. : **NACHI 7240DF**

■ Bearing Type

■ Clearance

■ Tolerance Class

Dimensions

$d = 200$
0
-0.030

$D = 360$
0
-0.040

$B = 58$
0
0.000

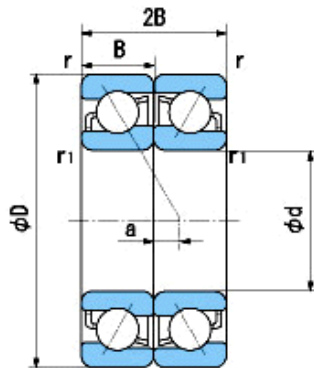
$r = 4 \sim 6.5$
(Radial Direction)

$r = 4 \sim 9$
(Axial Direction)

$r_1 = 1.5 \sim 3$
(Radial Direction)

$r_1 = 1.5 \sim 5$
(Axial Direction)

$a = 51.8$



Dimensions

$da_1(\text{min}) = 218$

$da_2(\text{min}) = 209$

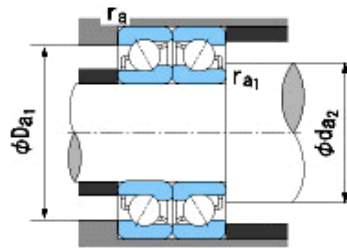
$Da_1(\text{max}) = 342$

$Da_2(\text{max}) = 351$

$ra(\text{max}) = 3$

$ra_1(\text{max}) = 1.5$

Mass = 51 kg



Basic Dynamic Load Rating Cr :	550,000 N
Basic Static Load Rating Cor :	900,000 N
Limiting Speed ;	
Grease Lubrication :	1,200 min ⁻¹
Oil Lubrication :	1,600 min ⁻¹

	INNER RING	OUTER RING
O.D.Surface Runout with Side :		-
Axial Runout with Bore :	-	
Axial Runout with Raceway :	-	
Width Variation :	0.030	0.030
Radial Runout :	0.040	0.070